

DS-2DE1C200IW-D3/W(F1)(S7) 2 MP IR PT Network Camera



Hikvision DS-2DE1C200IW-D3/W(F1)(S7) 2 MP IR PT Network Camera is ideal for indoor HD monitoring in small businesses and offices and for close range monitoring in warehouses, lobbies, server rooms, garages, etc.

- High quality imaging with 2 MP resolution
- Digital WDR, HLC, BLC, 3D DNR
- Good night-time performance with up to 15 m IR
- Two-way audio with built-in microphone and speaker
- Supports microSD/microSDHC/microSDXC card, up to 256 GB



▪ DORI

The DORI (detect, observe, recognize, identify) distance gives the general idea of the camera ability to distinguish persons or objects within its field of view.

It is calculated based on the camera sensor specification and the criteria given by EN 62676-4: 2015.

DORI	Detect	Observe	Recognize	Identify
Definition	25 px/m	63 px/m	125 px/m	250 px/m
Distance (Tele)	50 m (164.0 ft.)	20 m (65.6 ft.)	10 m (32.8 ft.)	5 m (16.4 ft.)

▪ Specification

Camera	
Image Sensor	1/2.7" Progressive Scan CMOS
Max. Resolution	1920 × 1080
Min. Illumination	Color: 0.01 Lux @ (F2.0, AGC ON), B/W: 0.005Lux @(F2.0, AGC ON), 0 Lux with IR
Lens	
Focal Length	4 mm
FOV	Horizontal FOV 90°, vertical FOV 48°, diagonal FOV 107°
Aperture	F2.0
Illuminator	
Supplement Light Type	IR
Supplement Light Range	IR Distance: up to 15 m
IR Wavelength	850 nm
PTZ	
Movement Range (Pan)	0° to 350°
Movement Range (Tilt)	-15° to 100°
Pan Speed	Up to 20°/s
Tilt Speed	Up to 15°/s
Video	
Main Stream	50 Hz: 30 fps (1920 × 1080, 1280 × 720)
Sub-Stream	50 Hz: 30 fps (640 × 480, 640 × 360)
Video Compression	H.265, H.264, MJPEG
Video Bit Rate	32 Kbps to 8 Mbps
H.264 Type	Baseline Profile/Main Profile/High Profile
H.265 Type	Main Profile
Audio	
Audio Compression	G.711alaw/G.711ulaw/G.722.1/G.726/MP2L2/AAC/PCM
Audio Bit Rate	AAC: 16 Kbps, 32 Kbps, 64 Kbps; MP2L2: 32 Kbps, 40 Kbps, 48 Kbps, 56 Kbps, 64 Kbps, 80 Kbps, 96 Kbps, 112 Kbps, 128 Kbps, 144 Kbps, 160 Kbps; G.711alaw: 64 Kbps
Audio Sampling Rate	8 kHz/16 kHz
Environment Noise Filtering	Yes
Network	
Protocols	IPv4/IPv6, HTTP, HTTPS, QoS, FTP, SMTP, UPnP, DNS, DDNS, NTP, RTSP, RTP, TCP/IP, UDP, DHCP, Bonjour

API	Open Network Video Interface (Version 18.12, Profile S, Profile G, Profile T), ISAPI, SDK
Wireless (Wi-Fi)	
Encryption Mode	64/128-bit WEP, WPA/WPA2, WPA-PSK/WPA2-PSK
Wi-Fi Protocols	IEEE802.11b, 802.11g, 802.11n
Frequency Range	2.4 GHz - 2.4835 GHz
Channel Bandwidth	20/40 MHz
Modulation	802.11b: CCK, DQPSK, DBPSK 802.11g: OFDM/64-QAM, 16-QAM, QPSK, BPSK 802.11n: OFDM/64-QAM, 16-QAM, QPSK, BPSK
Transfer Rate	802.11b: 11, 5.5, 2, 1 Mbps 802.11g: 54, 48, 36, 24, 18, 12, 9, 6 Mbps 802.11n: mcs0 - msc7
Wireless Range	Up to 50 m (The performance varies based on actual environment)
Antenna	2 built-in antennas
Image	
Image Settings	Saturation, brightness, contrast, and sharpness adjustable by client software or web browser
Wide Dynamic Range (WDR)	Digital WDR
Image Enhancement	BLC, HLC, 3D DNR
Interface	
Ethernet Interface	1 RJ45 10M/100M self-adaptive Ethernet port
On-board Storage	Built-in memory card slot, support microSD/microSDHC/microSDXC card, up to 256 GB
Built-in Microphone	1 built-in microphone
Built-in Speaker	1 built-in speaker
Reset	Yes
Event	
Basic Event	Motion detection
Alarm Linkage	Upload to FTP/memory card, notify surveillance center, send email, audible warning
General	
Power	5 VDC, Micro USB, Max. 5.5 W
Dimension	127 mm × 93.5 mm × 143 mm (5.00" × 3.68" × 5.63")
Weight	Approx. 270 g (0.6 lb.)
Material	Plastic
Operating Condition	-10 °C to 40 °C (-14 °F to 104 °F). Humidity 90% or less (non-condensing)
General Function	Mirror, password protection, watermark
Approval	
EMC	FCC SDoC (47 CFR Part 15, Subpart B); CE-EMC (EN 55032: 2015, EN 61000-3-2: 2019, EN 61000-3-3: 2013, EN 50130-4: 2011 +A1: 2014)
Safety	CB (IEC 60950-1:2005 + Am 1:2009 + Am 2:2013, IEC 62368-1:2014); CE-LVD (EN 62368-1:2014+A11:2017)
Environment	CE-RoHS (2011/65/EU); WEEE (2012/19/EU); Reach (Regulation (EC) No 1907/2006)
Protection	IP54

▪ **Available Model**

DS-2DE1C200IW-D3/W(F1)(S7)

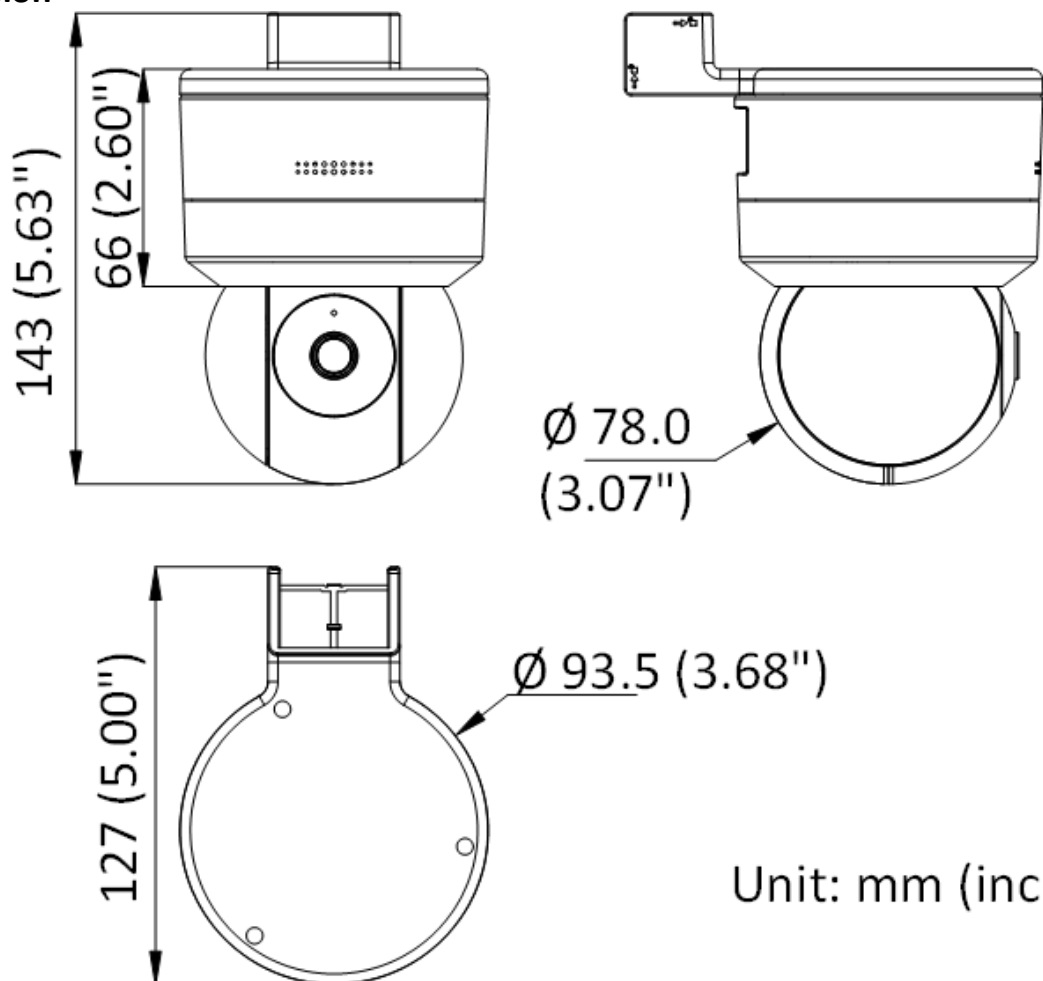
▪ **Typical Application**

Hikvision products are classified into three levels according to their anti-corrosion performance. Refer to the following description to choose for your using environment.

This model has NO SPECIFIC PROTECTION.

Level	Description
Top-level protection	Hikvision products at this level are equipped for use in areas where professional anti-corrosion protection is a must. Typical application scenarios include coastlines, docks, chemical plants, and more.
Moderate protection	Hikvision products at this level are equipped for use in areas with moderate anti-corrosion demands. Typical application scenarios include coastal areas about 2 kilometers (1.24 miles) away from coastlines, as well as areas affected by acid rain.
No specific protection	Hikvision products at this level are equipped for use in areas where no specific anti-corrosion protection is needed.

▪ **Dimension**



Unit: mm (inch)

Distributed by

**HIKVISION®****Headquarters**

No.555 Qianmo Road, Binjiang District,
Hangzhou 310051, China
T +86-571-8807-5998
overseasbusiness@hikvision.com

Hikvision USA
T +1-909-895-0400
sales.usa@hikvision.com

Hikvision Australia
T +61-2-8599-4233
salesau@hikvision.com

Hikvision India
T +91-22-28469900
sales@pramahikvision.com

Hikvision Canada
T +1-866-200-6690
sales.canada@hikvision.com

Hikvision Thailand
T +662-275-9949
sales.thailand@hikvision.com

Hikvision Europe
T +31-23-5542770
sales.eu@hikvision.com

Hikvision Italy
T +39-0438-6902
info.it@hikvision.com

Hikvision Brazil
T +55 11 3318-0050
Latam.support@hikvision.com

Hikvision Turkey
T +90 (216)521 7070- 7074
sales.tr@hikvision.com

Hikvision Malaysia
T +601-7652-2413
sales.my@hikvision.com

Hikvision UK & Ireland
T +01628-902140
sales.uk@hikvision.com

Hikvision South Africa
Tel: +27 (10) 0351172
sale.africa@hikvision.com

Hikvision France
T +33(0)1-85-330-450
info.fr@hikvision.com

Hikvision Kazakhstan
T +7-727-9730667
nikia.panfilov@hikvision.ru

Hikvision Vietnam
T +84-974270888
sales.vt@hikvision.com

Hikvision UAE
T +971-4-4432090
salesme@hikvision.com

Hikvision Singapore
T +65-6684-4718
sg@hikvision.com

Hikvision Spain
T +34-91-737-16-55
info.es@hikvision.com

Hikvision Tashkent
T +99-87-1238-9438
uzb@hikvision.ru

Hikvision Hong Kong
T +852-2151-1761
info.hk@hikvision.com

Hikvision Russia
T +7-495-669-67-99
saleru@hikvision.com

Hikvision Korea
T +82-(0)31-731-8817
sales.korea@hikvision.com

Hikvision Poland
T +48-22-460-01-50
info.pl@hikvision.com

Hikvision Indonesia
T +62-21-2933759
Sales.Indonesia@hikvision.com

Hikvision Colombia
sales.colombia@hikvision.com