

DS-2CE56D1T-VFIR3



Key Features

- 2 Megapixel high-performance CMOS
- Turbo HD output, up to 1080P resolution
- 2.8 – 12mm vari-focal lens
- True Day/Night, Smart IR
- Up to 40m IR distance
- IP66 weatherproof
- OSD menu

Specification

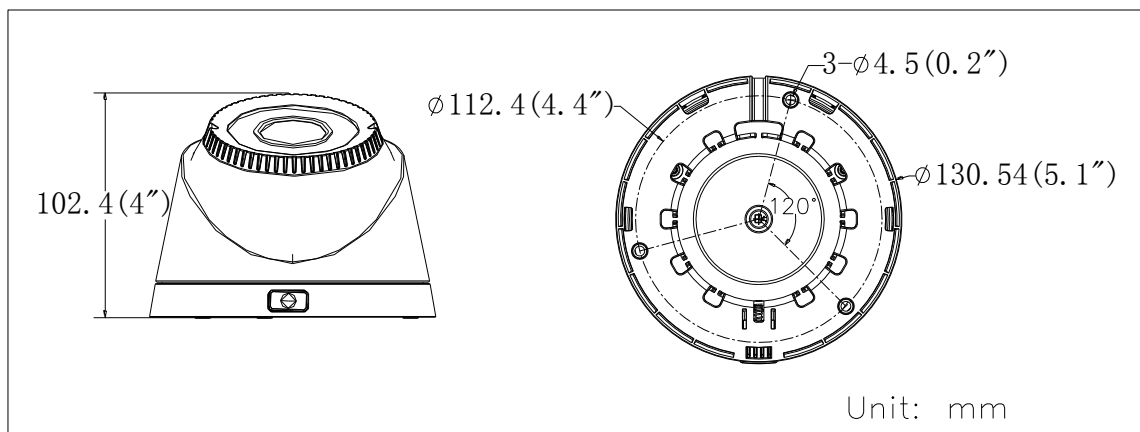
Model	DS-2CE56D1T-VFIR3
Parameter	Turbo HD1080p Vari-focal IR Turret Camera
Camera	
Image Sensor	2MP CMOS Image Sensor
Signal System	PAL/NTSC
Effective Pixels	1984(H)*1105(V)
Min. Illumination	0.01 Lux @ (F1.2,AGC ON),0 Lux with IR
Shutter Time	1/25(1/30) s to 1/50,000 s
Lens	2.8 - 12 mm @ F1.4
	Angle of view: 105.2° - 32.8°
Lens Mount	φ14
Angle Adjustment	Pan: 0 - 360°, Tilt: 0 - 75°, Rotation: 0 - 360°
Day & Night	ICR
Synchronization	Internal synchronization
Video Frame Rate	1080p@25fps/1080p@30fps
HD Video Output	1 Analog HD output
S/N Ratio	> 62dB

Menu	
AGC	High/Medium/Low/Off
D/N Mode	Smart IR/Color/BW
White Balance	Auto/Manual
BLC	Support
Language	English
Functions	Digital noise reduction, Mirror
General	
Working Temperature/Humidity	-40 °C - 60 °C (-40 °F - 140 °F) Humidity 90% or less (non-condensing)
Power Supply	12V DC±15%
Power Consumption	Max. 4.5W
Weather Proof Ratings	IP66
IR Range	Up to 40m
Communication	Up the coax Protocol: HIKVISION-C(Coaxitron)
Dimension	Φ130.54 × 102.4mm (Φ5.1" × 4")
Weight	410 g (0.90 lb)

Order Model

DS-2CE56D1T-VFIR3

Dimension



Accessory



DS-1273ZJ-130-TRL
Wall Mounting



DS-1275ZJ
Vertical Pole Mounting



DS-1276ZJ
Corner Mounting



DS-1280ZJ-M
Junction Box



DS-1281ZJ-S
Inclined Ceiling Mounting



DS-1H18
Video Balun



DS-TT-X41T
TVI Tester