

TriWatcher

Intelligent Outdoor Detector **SIR10**



CE

Advanced detector that expands the possibility of outdoor security



Newly developed TriWatcher method realizes high precision outdoor vigilance by discriminating/eliminating false alarm factors.

TriWatcher method discriminates false alarm factors

Eliminates false alarm factors

Realizes high precision outdoor vigilance

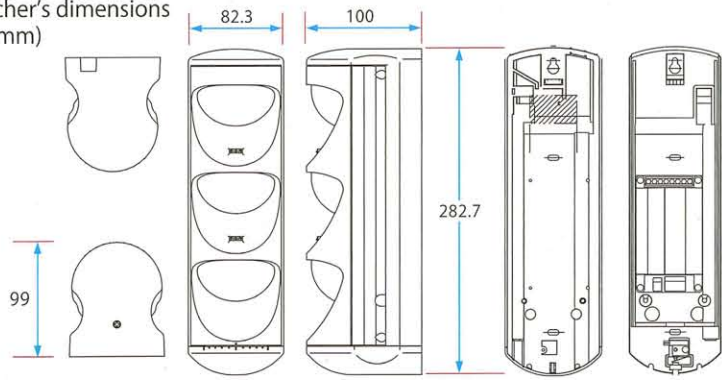
ATSUMI

TriWatcher

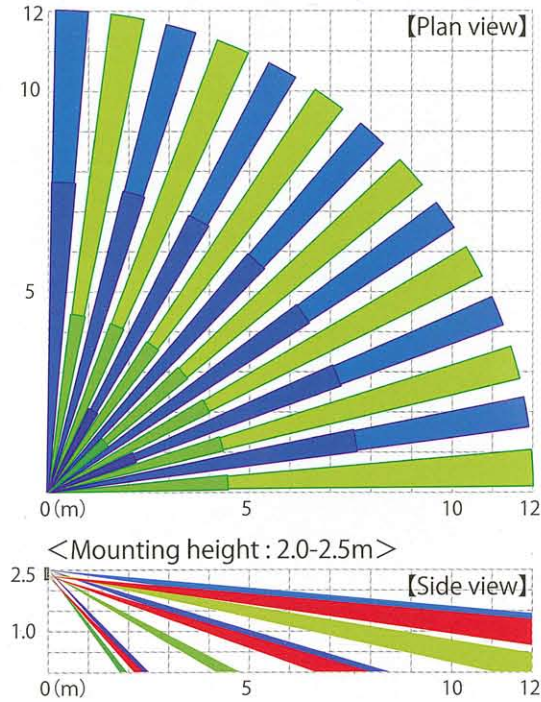
Intelligent Outdoor Detector SIR10



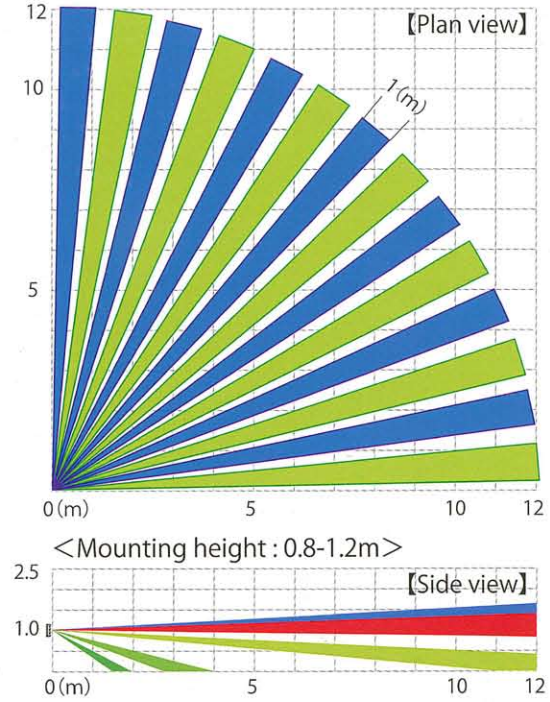
■ TriWatcher's dimensions (unit : mm)



■ Detection area of wide angle coverage



■ Detection area of pet alley coverage



INTELLIGENT OUTDOOR DETECTOR

Description		INTELLIGENT OUTDOOR DETECTOR		Alarm output		Contact form 1c	
Model	SIR10			Output period	One-shot (3-300 seconds : volume adjustment)		
Input voltage	9-28VDC (non-polar)			Rated load	30VDC, 0.1A (resistance load)		
Current draw	30mA (max.)			Output resistance when closed	3.0Ω or less		
Operating temp./humid.	-25~+50°C RH95% or less			Tamper output		Contact form 1b	
Storage temp./humid.	-30~+60°C RH95% or less			Output period	Open while lower cover is open		
Coverage patterns	Wide angle	Pet alley		Rated load	30VDC, 0.1A (resistance load)		
	(selectable by sliding PCB)			Output resistance when closed	3.0Ω or less		
Detection area	12m, 84°(mounting height : 2.0-2.5m)		12m, 84°(mounting height : 0.8-1.2m)	Sensitivity adjustment	50-150% (volume adjustment)		
Detection zones (sectors)	47 pairs (94 sectors)		29 pairs (54 sectors)	Detection mode	AND/OR (switch selection)		
Detection method	Passive infrared method			Pulse count	1/2/3/4 pulses (switch selection)		
LED indicators	Power-on and Warm-up	LED (red)	Flashes (1/sec.)	Movable range	Horizontal direction: ±45°(at 9°intervals)		
	Alarm	LED (red)	Lights up (lights off setting available)	Installation	Indoor / Outdoor, on walls or poles		
	Self-diagnosis	LED (red)	Flashes (1/sec.)	Weight	800g		
	Precaution	LED (red)	Flashes (once/2.5 sec.)	Color	White (DIC G-21)		
	Test mode	LED (red)	Lights up or flashes (depends on detection status)				

● The product of this catalog is not a burglar-preventing device. Each user is requested to make effective use of this product under each user's sufficient control. ATSUMI shall not be liable for damages caused by thefts, etc.
 ● The actual color of this product may be slightly different from this catalog's printed image. ● Due to ongoing product improvements, specifications and designs are subjected to change without prior notice.

<http://www.atsumi.co.jp>



PARADOX HELLAS S.A.
fire alarm & security systems

KOPINGOY 3 - METAMORFOΣH 144 51 ATTIKHΣ
 THΛ.: 210 28 55 000 FAX: 210 28 55 020
 www.paradox.gr www.paradoxhellas.eu
 e-mail: sales@paradox.gr



ATSUMI ELECTRIC CO., LTD

4-2-2 Shin-Miyakoda Kita-Ku Hamamatsu-City, Shizuoka, Japan 431-2103
 TEL:+81-53-428-4116 FAX:+81-53-428-4119 E-Mail:international@atsumi.co.jp